

Controlled Warm Up / Section B

CAI 3*

7600m



Start B / CTF1 / O1 / KM1 / CTF2 / O2 / KM2/ CTF3 / O3 / KM3 / CTF4 / KM4 / O4 / CTF5 / KM5 / O5 / CTF6 / O6 / KM6 / CTF7 / KM7 / O7 / Finish B

Section Times	Competition: CAI 3* P1-P2-H1-H2
----------------------	---------------------------------

Horses

Section	Distance	Pace	Speed	MT	TA		CTF
In Harness Examination							
Controlled WarmUp				25 min			
Halt				5 min			
Warm Up Obstacle				2 min			
Section B O1-O7	7600 m	free after H7 walk or trot	14 km/h	29 min 34 sec	32 min 34 sec		1 - 7
Cool Down				10 min	15 min		
In Harness Examination							

PONYS

Section	Distance	Pace	Speed	MT	TA		CTF
In Harness Examination							
Controlled WarmUp				25 min			
Halt				5 min			
Warm Up Obstacle				2 min			
Section B O1-O7	7600 m	free after H7 walk or trot	13 km/h	32 min 05 sec	35 min 05 sec		1 - 7
Cool Down				10 min	15 min		
In Harness Examination							

TA = Time Allowed / MT = Minimum Time / CTF = Compulsory Turning Flags

Controlled Warm Up / Section B

CAI 2* / CAN S

6500m



Start B / CTF1 / O1 / KM1 / CTF2 / O2 / KM2/ CTF3 / O3 / KM3 / CTF4 / KM4 / O4 / CTF5 / KM5 / O5 / CTF6 / O6 / KM6 / Finish B



CAI 2* / CAIJ / CAN S St.Margarethen
Marathon
12.08.2023

Michael Mayer | M
Course Designer michael-mayer.ch

Section Times	Competition: CAI 2* P1-P2-H1-H2 / CAIJ P1 / CAN S
----------------------	---

Horses*

Section	Distance	Pace	Speed	MT	TA		CTF
In Harness Examination							
Controlled WarmUp				25 min			
Halt				5 min			
Warm Up Obstacle				2 min			
Section B O1-O6	6500 m	free after H5 walk or trot	14 km/h	24 min 51 sec	27 min 51 sec		1 - 6
Cool Down				10 min	15 min		
In Harness Examination							

PONYS

Section	Distance	Pace	Speed	MT	TA		CTF
In Harness Examination							
Controlled WarmUp				25 min			
Halt				5 min			
Warm Up Obstacle				2 min			
Section B O1-O6	6500 m	free after H6 walk or trot	13 km/h	27 min 00 sec	30 min 00 sec		1 - 6
Cool Down				10 min	15 min		
In Harness Examination							

TA = Time Allowed / MT = Minimum Time / CTF = Compulsory Turning Flags

Controlled Warm Up / Section B

CAN M

5500m



Start B / CTF1 / O1 / KM1 / CTF2 / O2 / KM2/ CTF3 / O3 / KM3 / CTF4 / KM4 / O4 / CTF5 / KM5 / O5 / Finish B

Section Times	Competition: CAN M
----------------------	--------------------

Horses*

Section	Distance	Pace	Speed	MT	TA	CTF
In Harness Examination						
Controlled WarmUp				25 min		
Halt				5 min		
Warm Up Obstacle				2 min		
Section B O1-O5	5500 m	free after H5 walk or trot	14 km/h	20 min 34 sec	23 min 34 sec	1 - 5
Cool Down				10 min	15 min	
In Harness Examination						

PONYS

Section	Distance	Pace	Speed	MT	TA	CTF
In Harness Examination						
Controlled WarmUp				25 min		
Halt				5 min		
Warm Up Obstacle				2 min		
Section B O1-O5	5500 m	free after H5 walk or trot	13 km/h	22 min 23 sec	25 min 23 sec	1 - 5
Cool Down				10 min	15 min	
In Harness Examination						

TA = Time Allowed / MT = Minimum Time / CTF = Compulsory Turning Flags

Controlled Warm Up / Section B

CAN L
4500m



Start B / CTF1 / O1 / KM1 / CTF2 / O2 / KM2/ CTF3 / O3 / KM3 / CTF4 / KM4 / O4 / Finish B

Section Times	Competition: CAN L
----------------------	--------------------

Horses*

Section	Distance	Pace	Speed	MT	TA		CTF
In Harness Examination							
Controlled WarmUp				25 min			
Halt				5 min			
Warm Up Obstacle				2 min			
Section B O1-O4	4500 m	free after H4 walk or trot	14 km/h	16 min 17 sec	19 min 17 sec		1 - 4
Cool Down				10 min	15 min		
In Harness Examination							

Ponys

Section	Distance	Pace	Speed	MT	TA		CTF
In Harness Examination							
Controlled WarmUp				25 min			
Halt				5 min			
Warm Up Obstacle				2 min			
Section B O1-O4	4500 m	free after H4 walk or trot	13 km/h	17 min 46 sec	20 min 46 sec		1 - 4
Cool Down				10 min	15 min		
In Harness Examination							

TA = Time Allowed / MT = Minimum Time / CTF = Compulsory Turning Flags

Controlled Warm Up / Section B

CAN Lizenzfrei

3550m



Start B / CTF1 / O1 / KM1 / CTF2 / O2 / KM2/ CTF3 / O3 / KM3 / Finish B

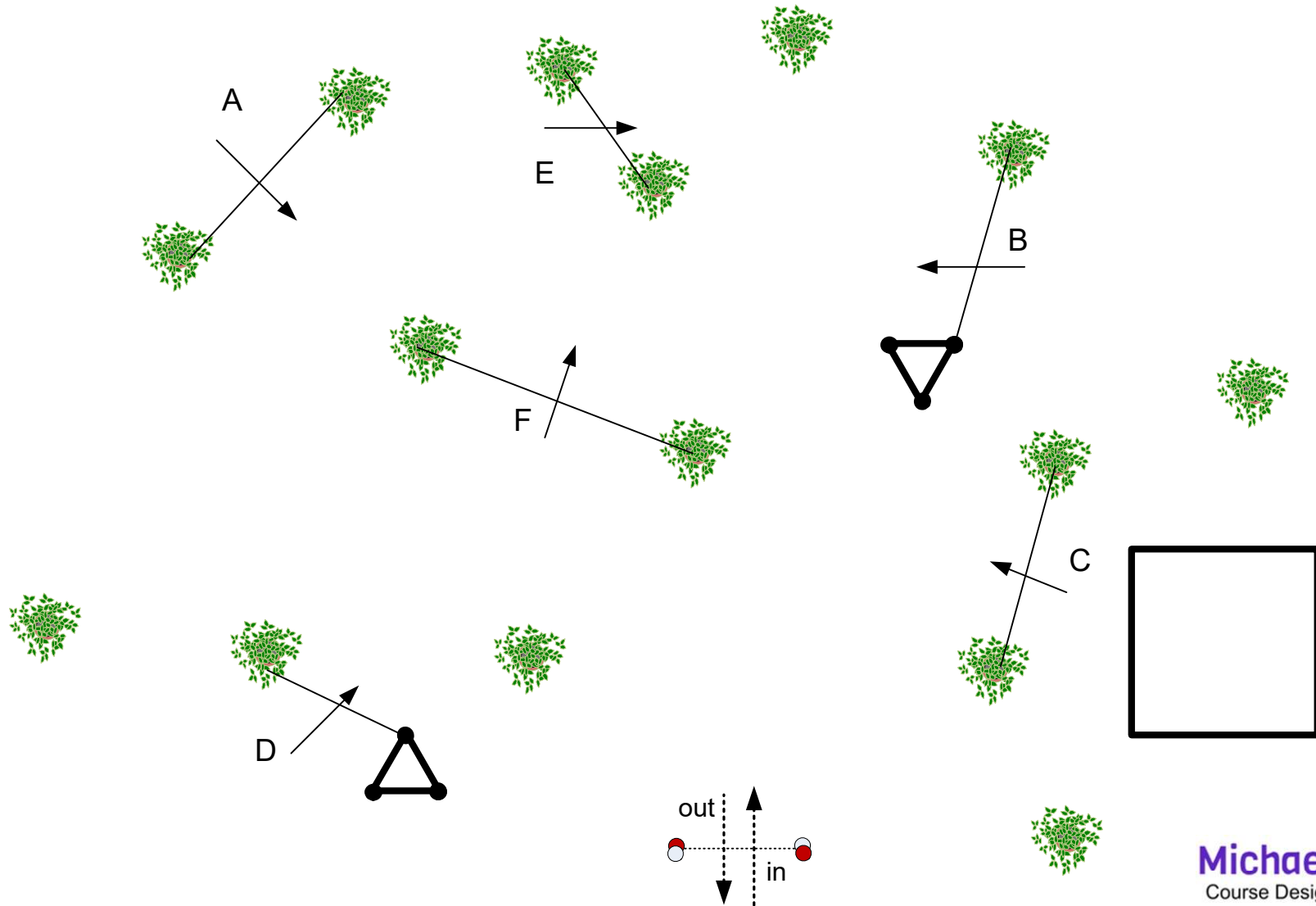
Section Times	Competition: CAN Lizenzfrei
----------------------	-----------------------------

Horses*

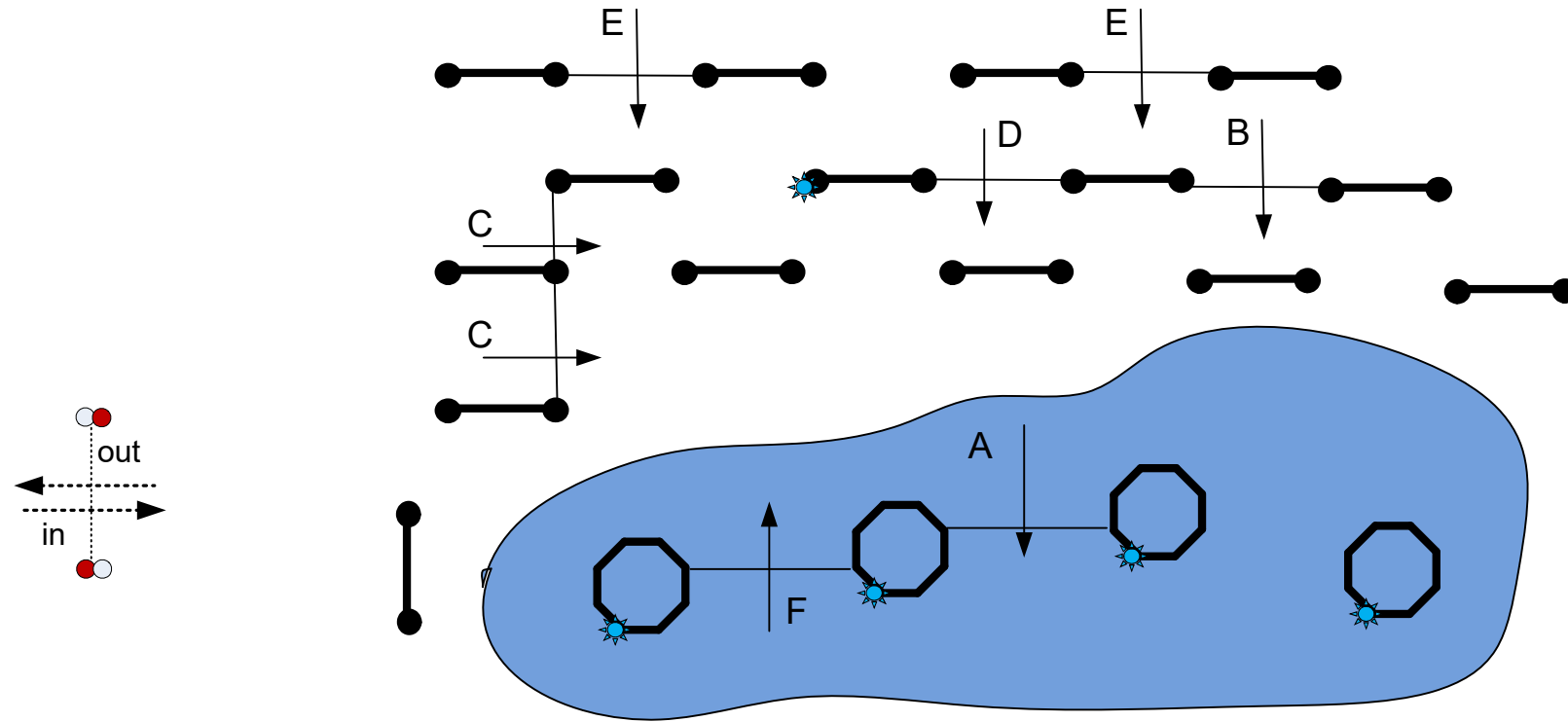
Section	Distance	Pace	Speed	MT	TA	CTF
In Harness Examination						
Controlled WarmUp				25 min		
Halt				5 min		
Warm Up Obstacle				2 min		
Section B 01-03	3550 m	free after H3 walk or trot	14 km/h	12 min 13 sec	12 min 13 sec	1 - 3
Cool Down				10 min	15 min	
In Harness Examination						

TA = Time Allowed / MT = Minimum Time / CTF = Compulsory Turning Flags

Obstacle 1

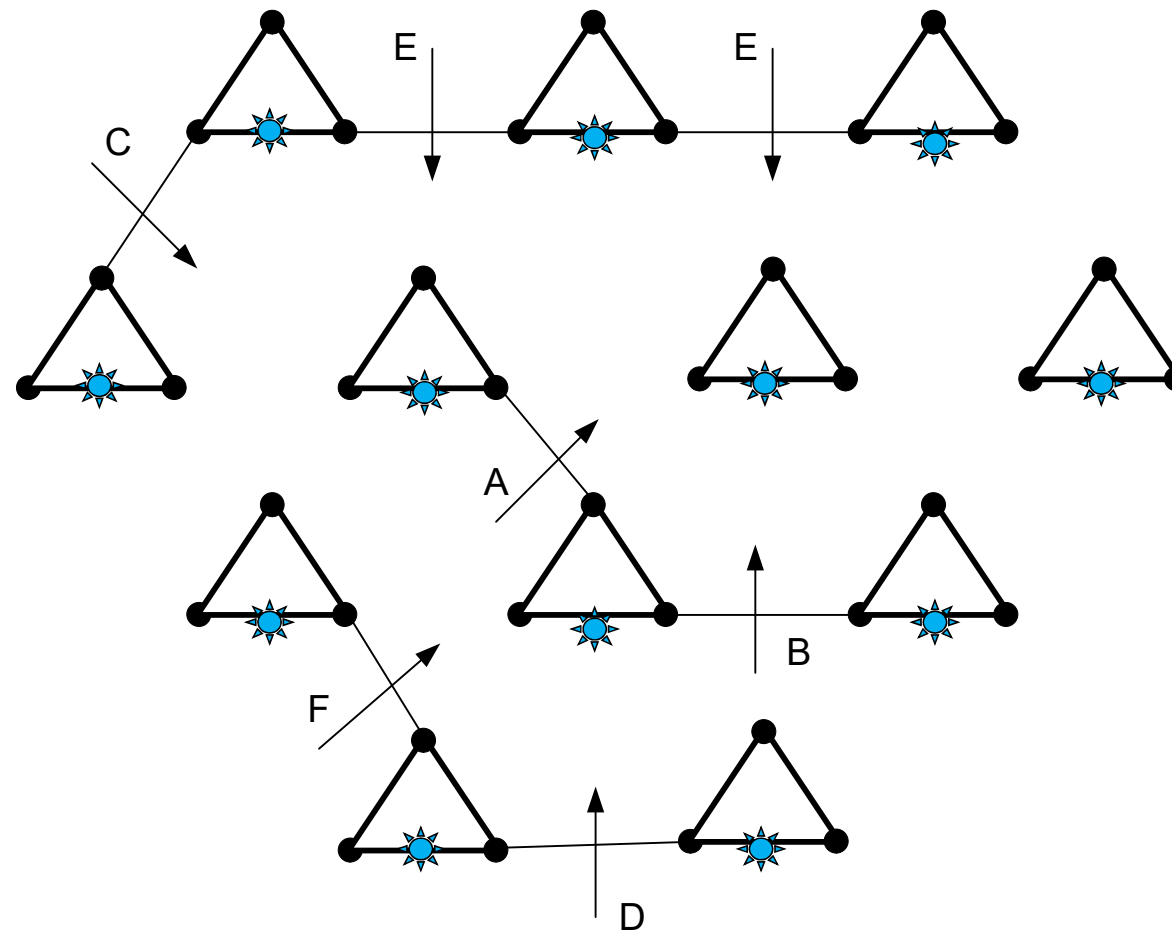
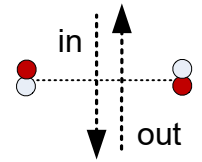


Obstacle 2



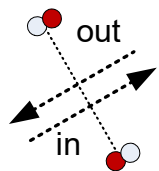
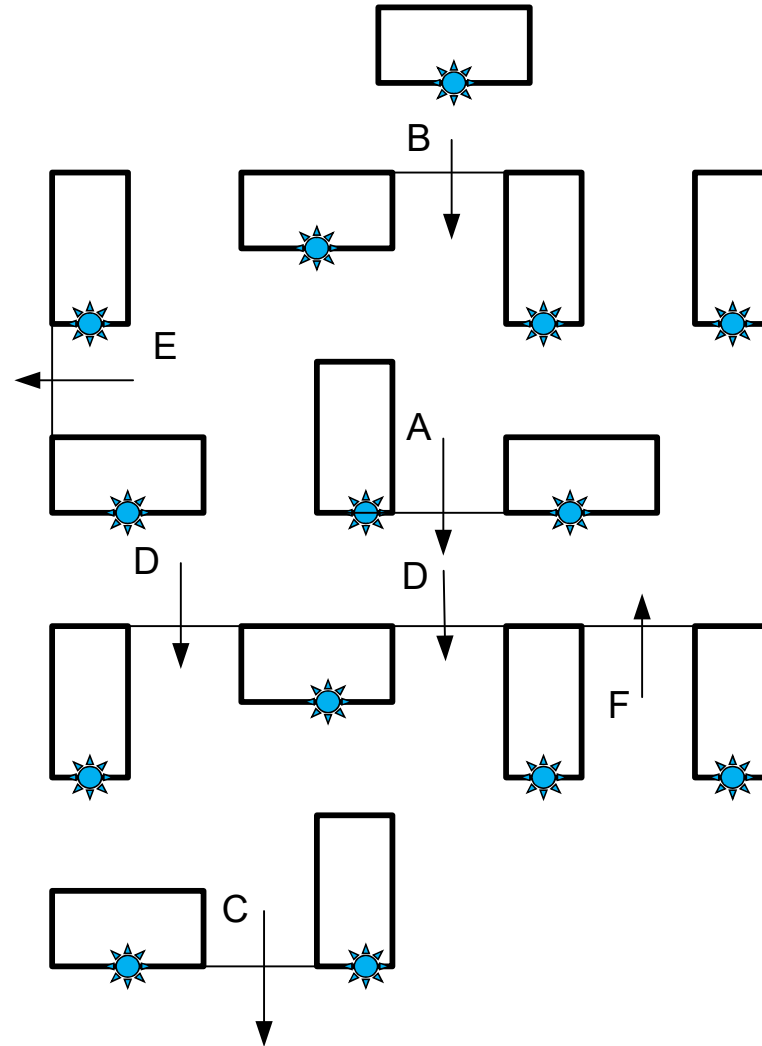
 5 Knock Downs

Obstacle 3



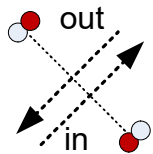
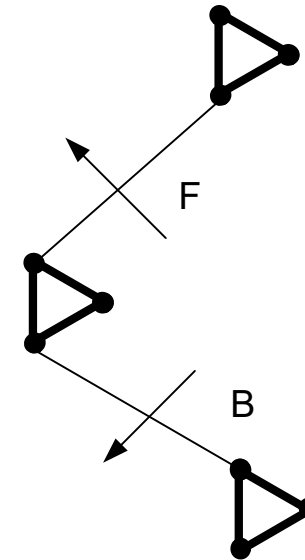
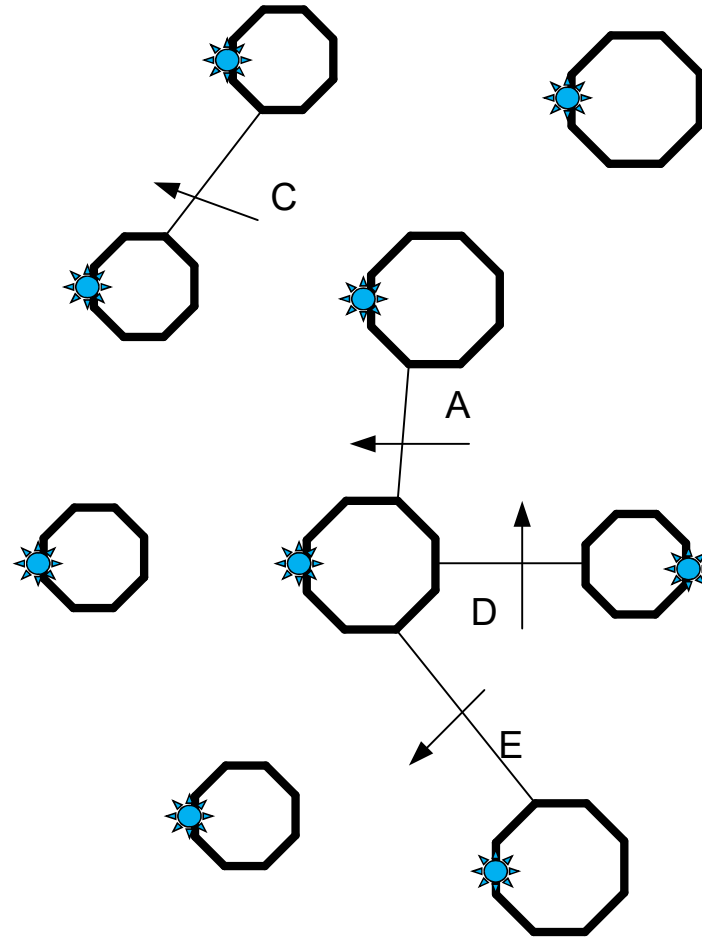
 12 Knock Downs

Obstacle 4



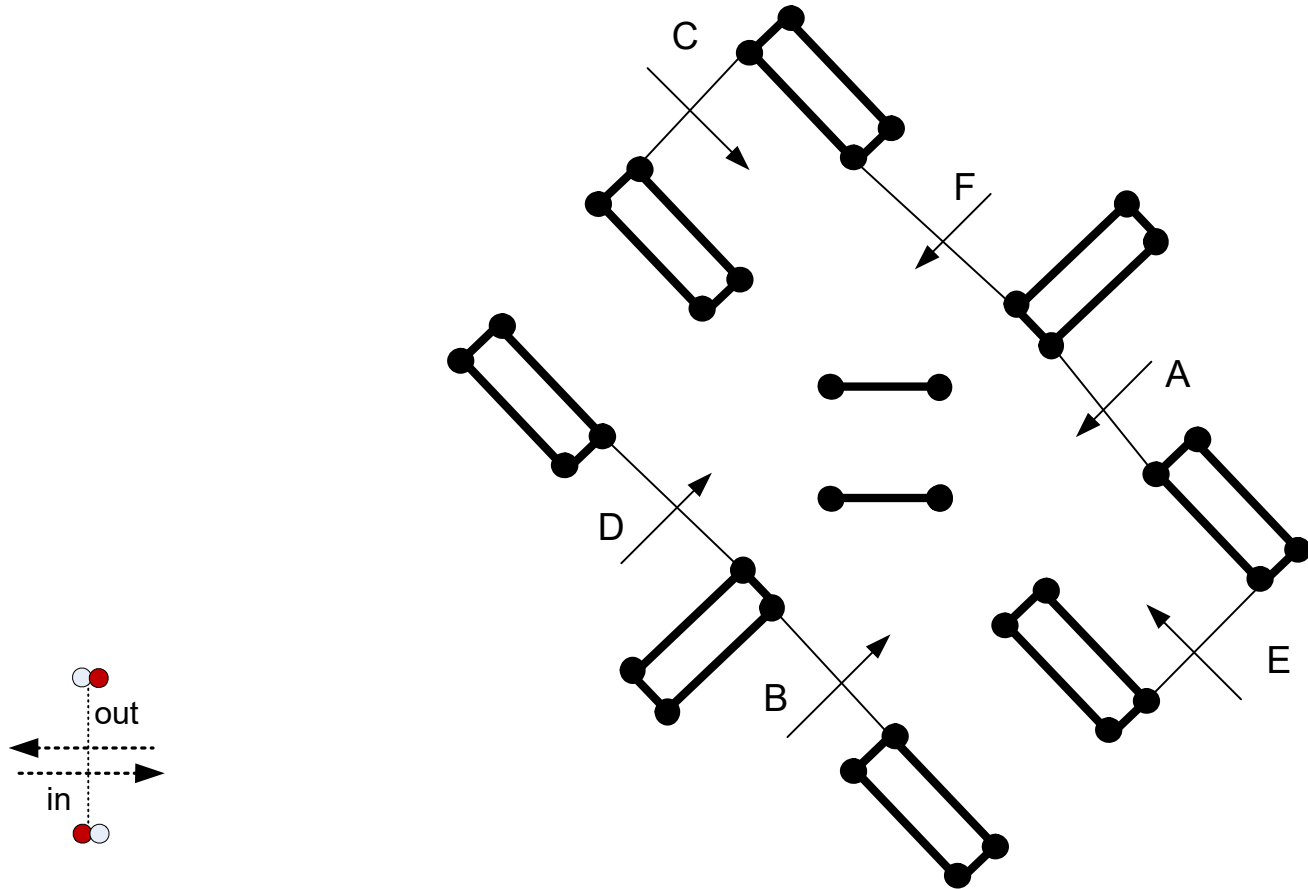
 14 Knock Downs

Obstacle 5

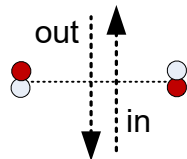
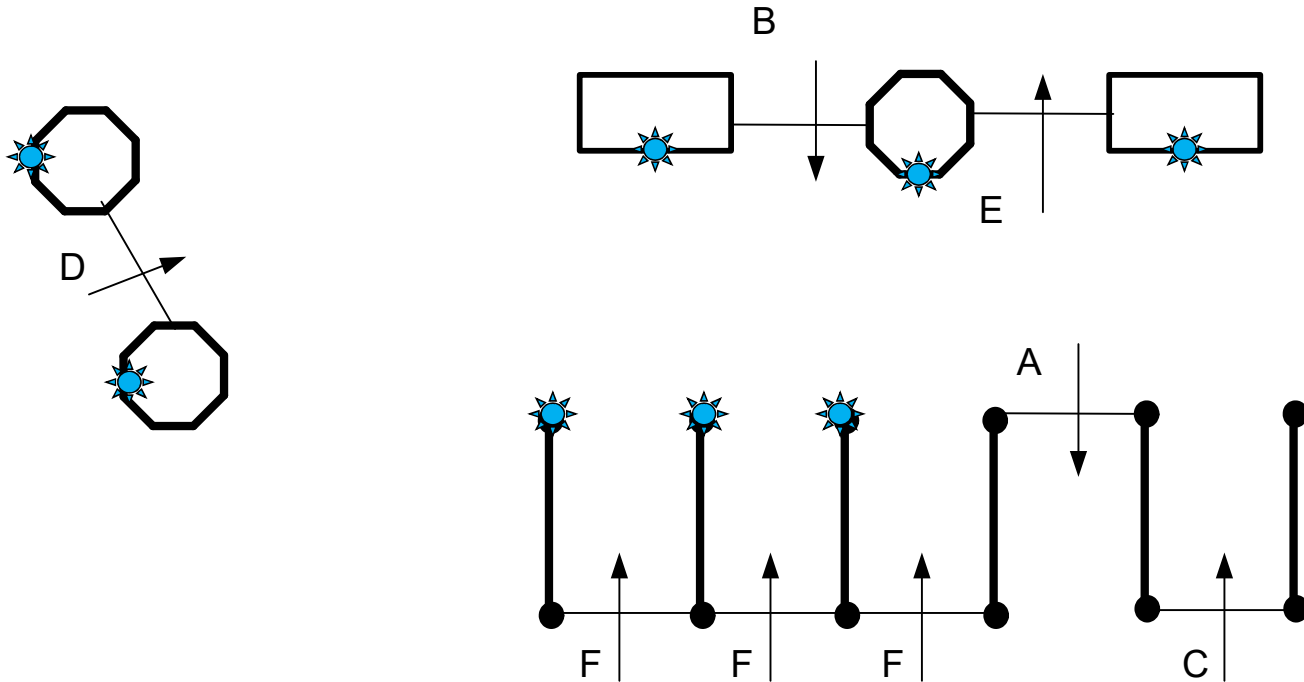


 9 Knock Downs

Obstacle 6



Obstacle 7



 8 Knock Downs