

**Osorhei - Fugyivásárhely CAI Ch**

2024

CAI 2\* J-U25 P1-P2

**START B**

**Obstacle 1**

CTF 1

1 Km

**Obstacle 2**

CTF 2

2 Km

**Obstacle 3**

CTF 3

CTF 4

**Obstacle 4 3 Km**

CTF 5

**Obstacle 5**

4 Km

**FINISH B 4270 m**

**CAI 2\* J-U25 P1-P2 --- 4700 m**

# **Osorhei - Fugyivásárhely**

2024

**CAI2\*** - H2-J-U25- P1-P2-H1 A-B-C-D-E-F

**START B**

**CAN B** -H2- H1 A-B-C-D-E-F

**CAN A** -H2 A-B-C-D-E-F

**Obstacle 1**

CTF 1

**1 Km**

**Obstacle 2**

CTF 2

**2 Km**

**Obstacle 3**

CTF 3

**3 Km**

CTF 4

**Obstacle 4**

**4 Km**

CTF 5

**Obstacle 5**

CTF 6

**Obstacle 7 5 Km**

**FINISH B**

**5500 m**

# ***Osorhei - Fugyivásárhely CAI 3\****

2023

***CAN A -H2 A-B-C-D-E-F***

***START B***

**Obstacle 1**

CTF 1

**1 Km**

**Obstacle 2**

CTF 2

**2 Km**

**Obstacle 3**

CTF 3

**3 Km**

CTF 4

**Obstacle 4**

**4 Km**

CTF 5

**Obstacle 5**

CTF 6

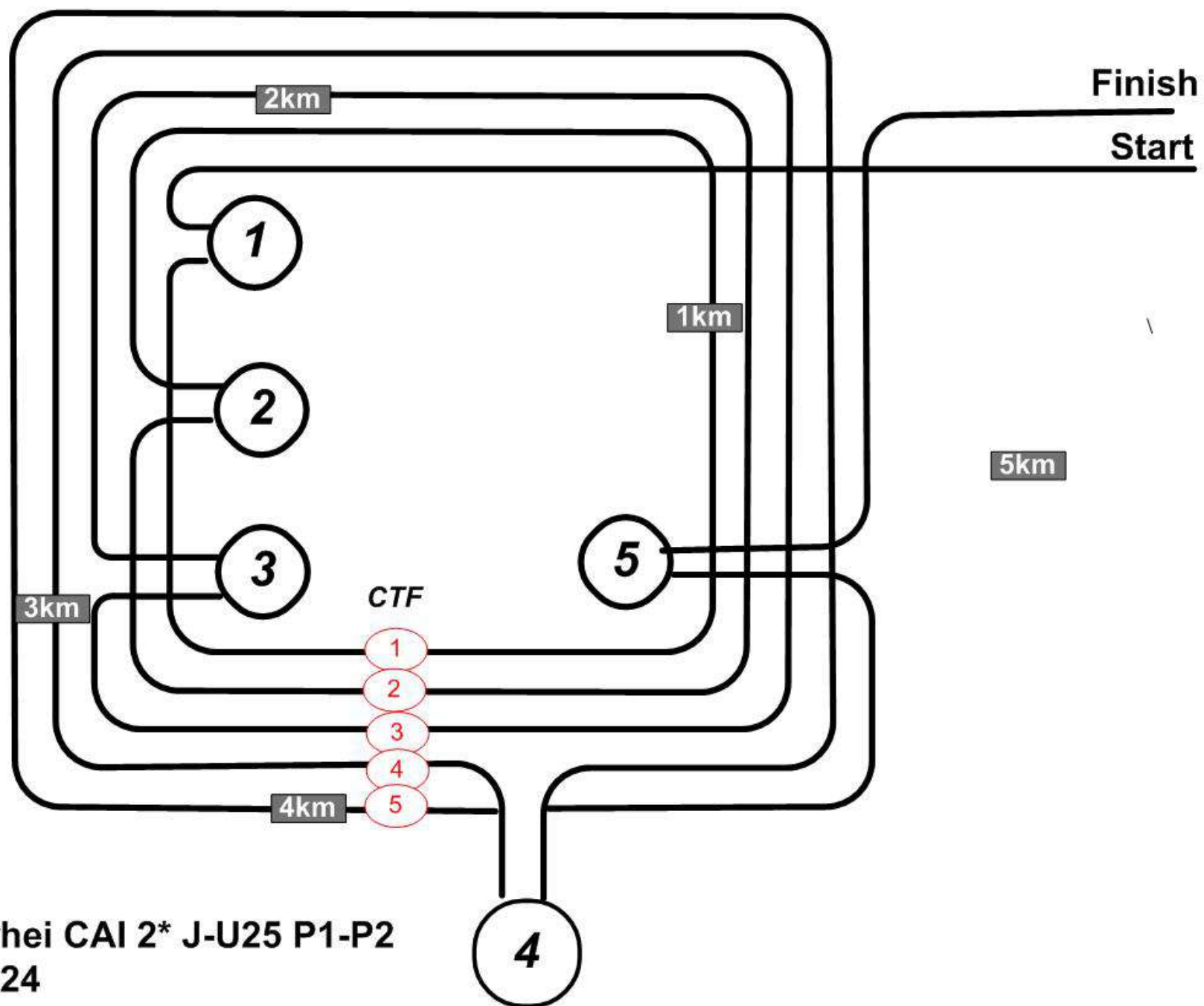
**Obstacle 6      5 Km**

CTF 7

**Obstacle 7      6 Km**

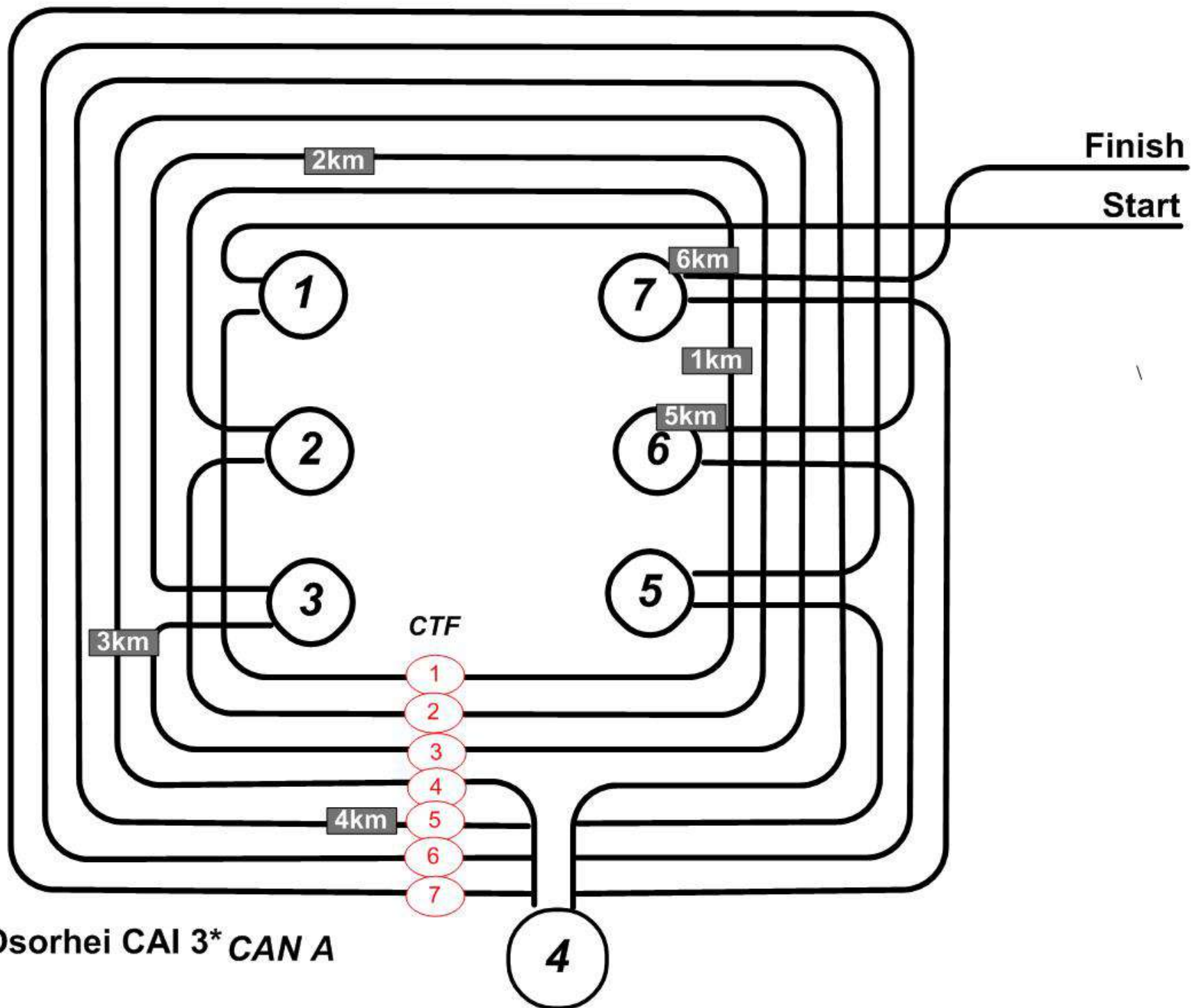
***FINISH B***

***6400 m***



Fugyivásárhely – Osorhei CAI 2\* J-U25 P1-P2  
2024

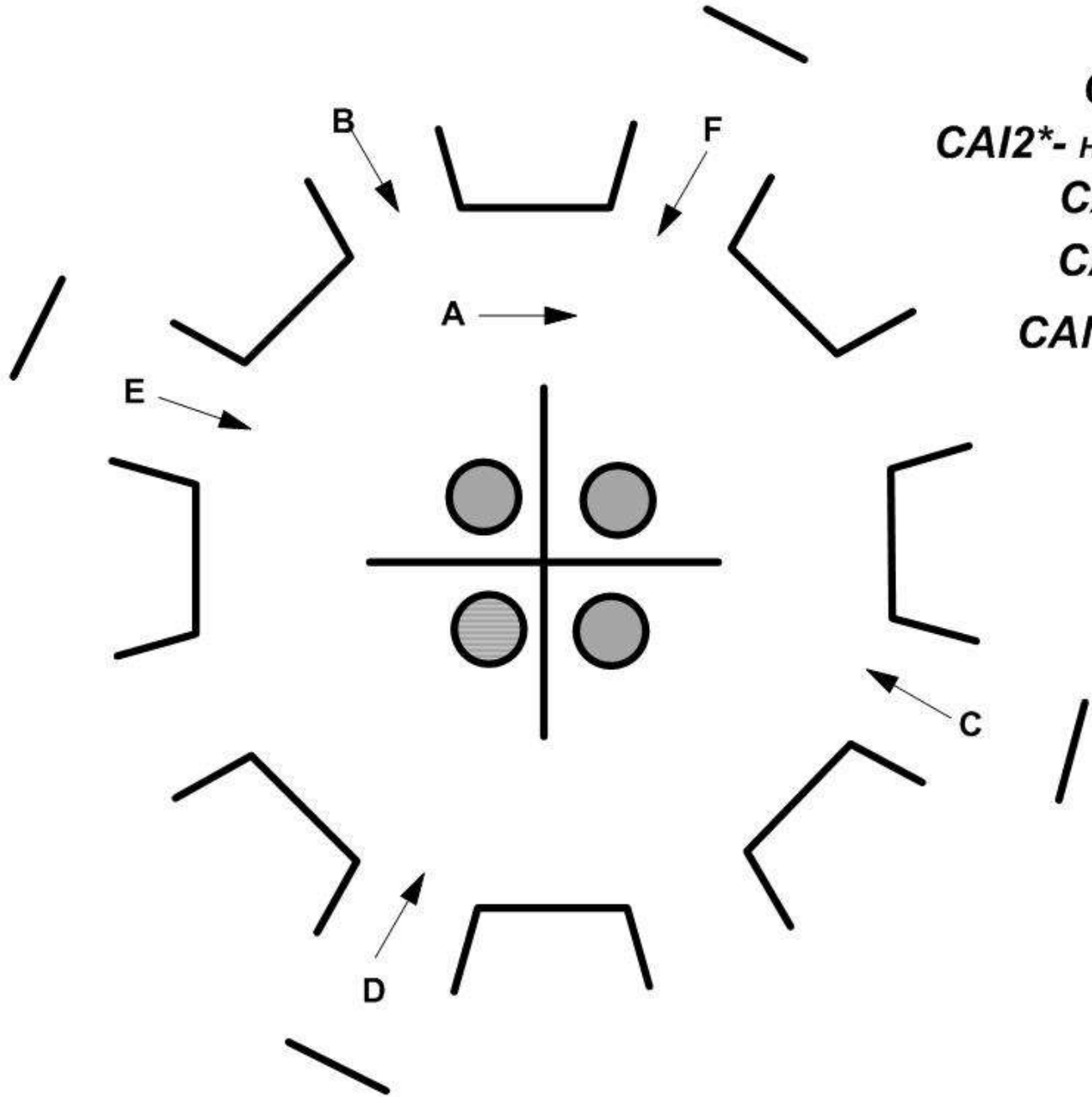
Section B 4700 m



Fugyivásárhely – Osorhei CAI 3\* CAN A  
2024

Section B 6400 m

- CAI3\*** -H4-H2-H1 A-B-C-D-E-F
- CAI2\*** - H2-J-U25- P1-P2-H1 A-B-C-D-E-F
- CAI Ch** P1-A-B-C-D
- CAN A** -H2 A-B-C-D-E-F
- CAN B** -H2- H1 A-B-C-D-E-F



In / Out

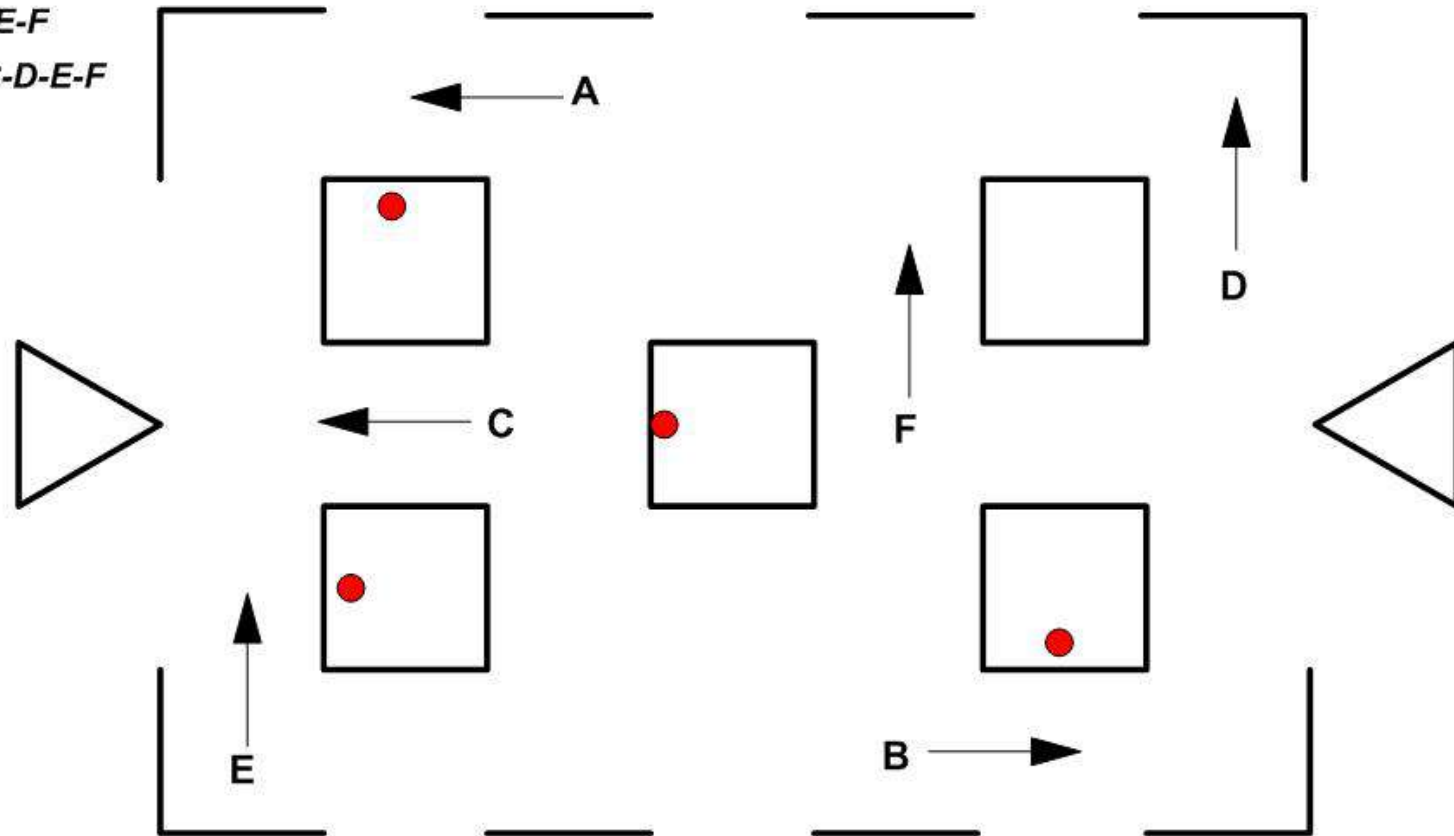
**CAI3\***-H4-H2-H1 A-B-C-D-E-F

**CAI2\***- H2-J-U25- P1-P2-H1 A-B-C-D-E-F

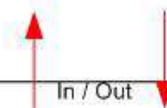
**CAI Ch** P1-A-B-C-D

**CAN A** -H2 A-B-C-D-E-F

**CAN B** -H2- H1 A-B-C-D-E-F



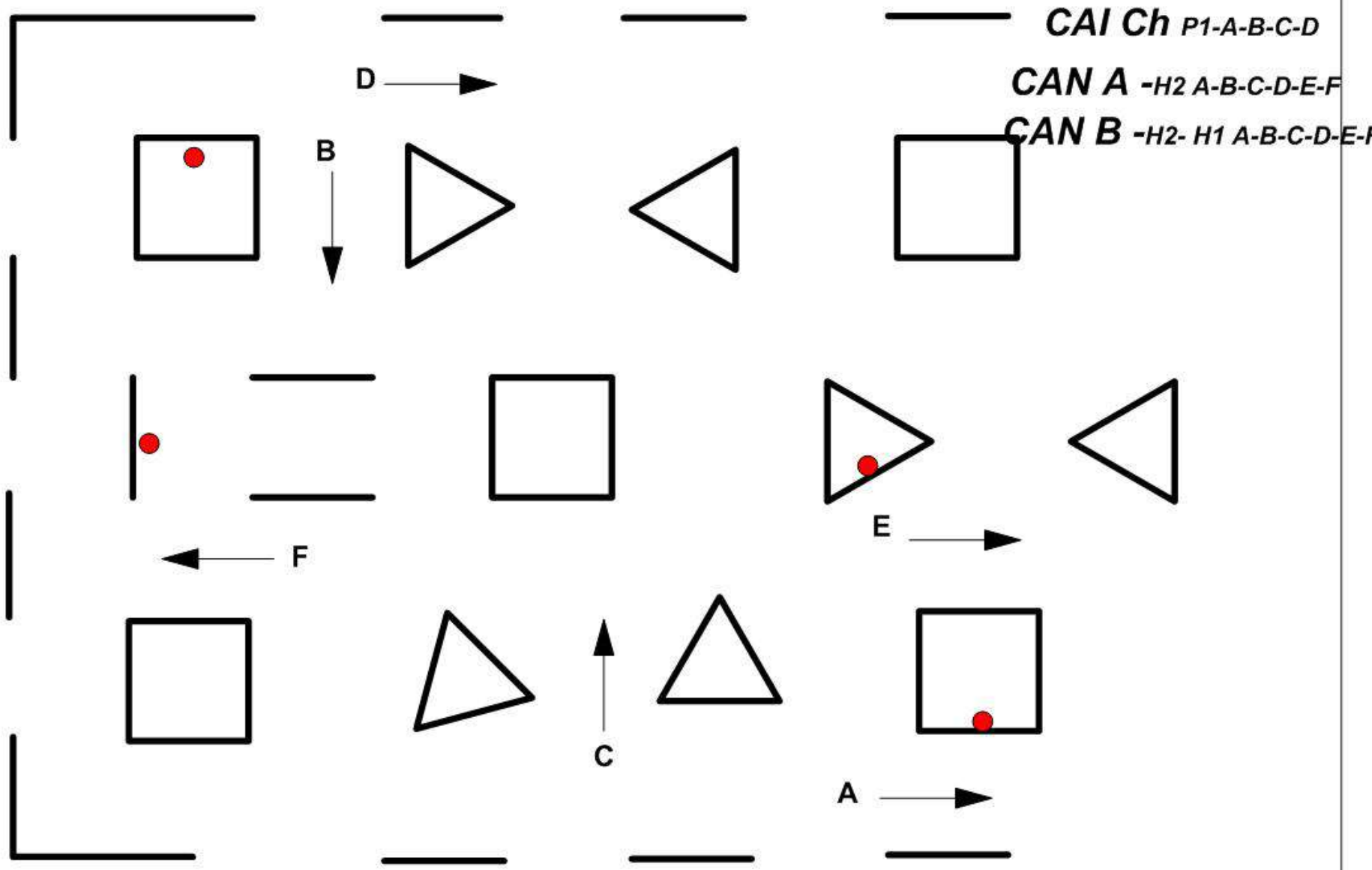
Knock down 4





CAI3\*-H4-H2-H1 A-B-C-D-E-F  
CAI2\*- H2-J-U25- P1-P2-H1 A-B-C-D-E-F

3





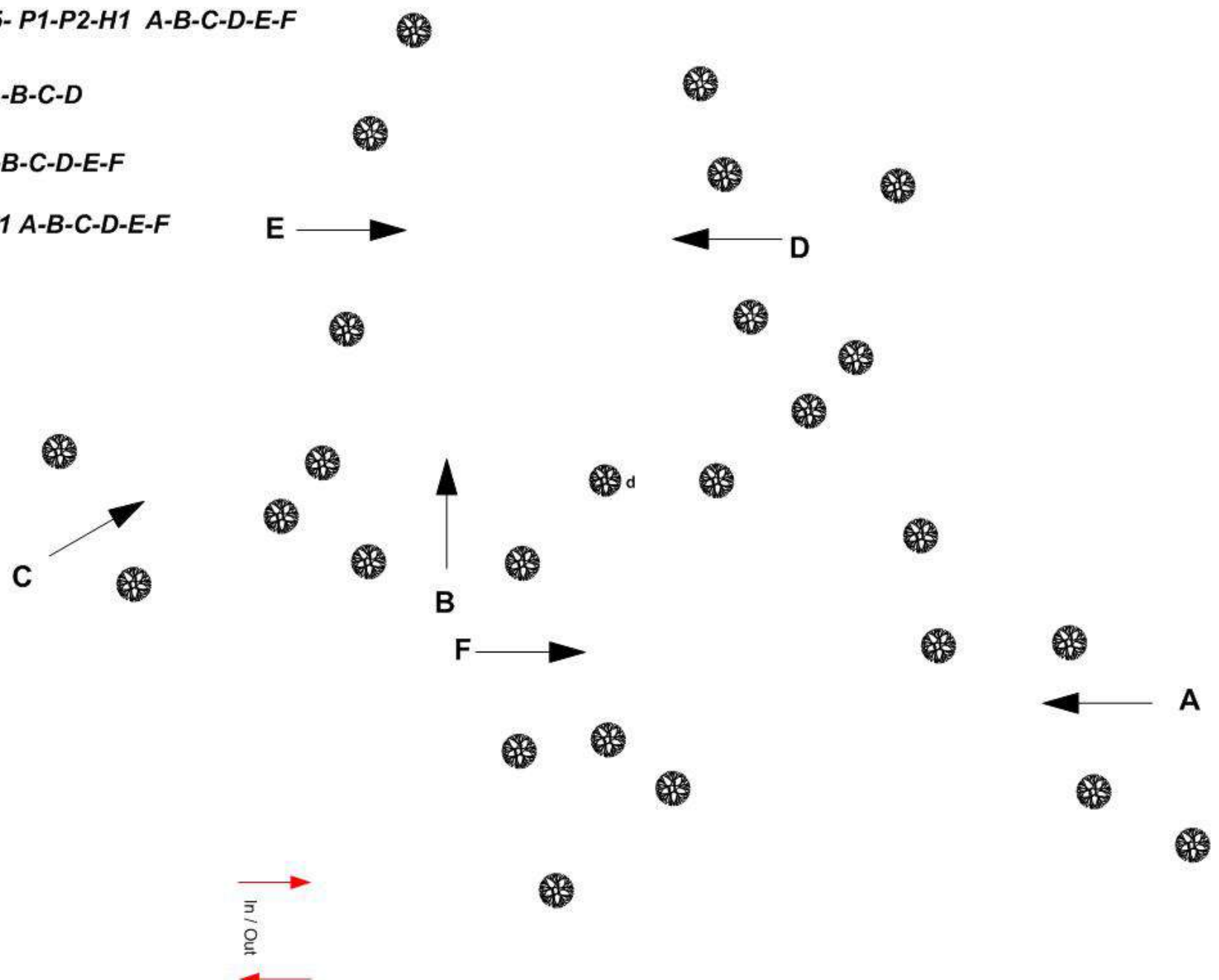
**CAI3\***-H4-H2-H1 A-B-C-D-E-F

**CAI2\***- H2-J-U25- P1-P2-H1 A-B-C-D-E-F

**CAI Ch** P1-A-B-C-D

**CAN A** -H2 A-B-C-D-E-F

**CAN B** -H2- H1 A-B-C-D-E-F



# Fugyivásárhely – Osorhei 2024

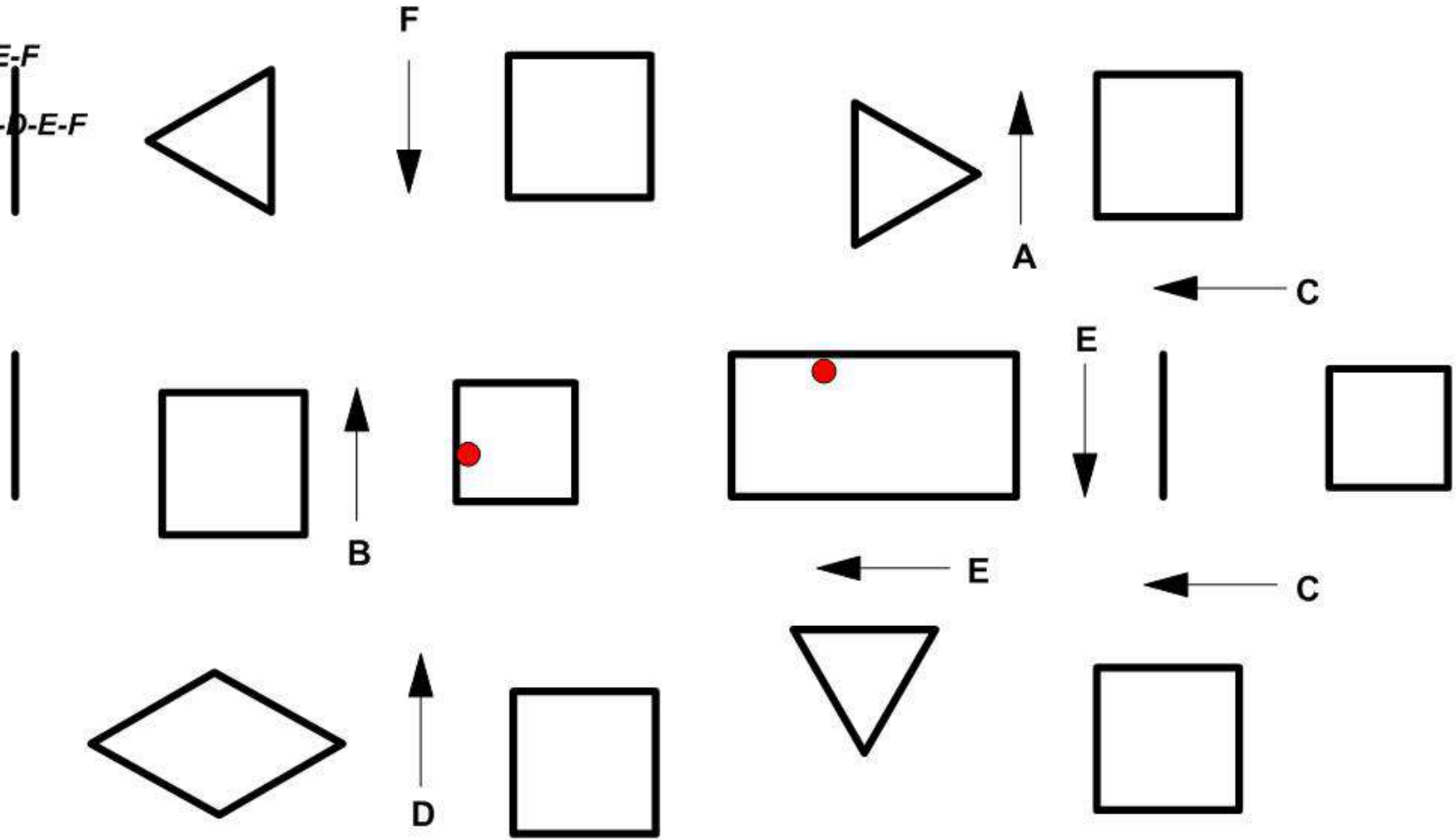
**CAI3\***-H4-H2-H1 A-B-C-D-E-F

**CAI2\***- H2-J-U25- P1-P2-H1 A-B-C-D-E-F

**CAI Ch** P1-A-B-C-D

**CAN A** -H2 A-B-C-D-E-F

**CAN B** -H2- H1 A-B-C-D-E-F

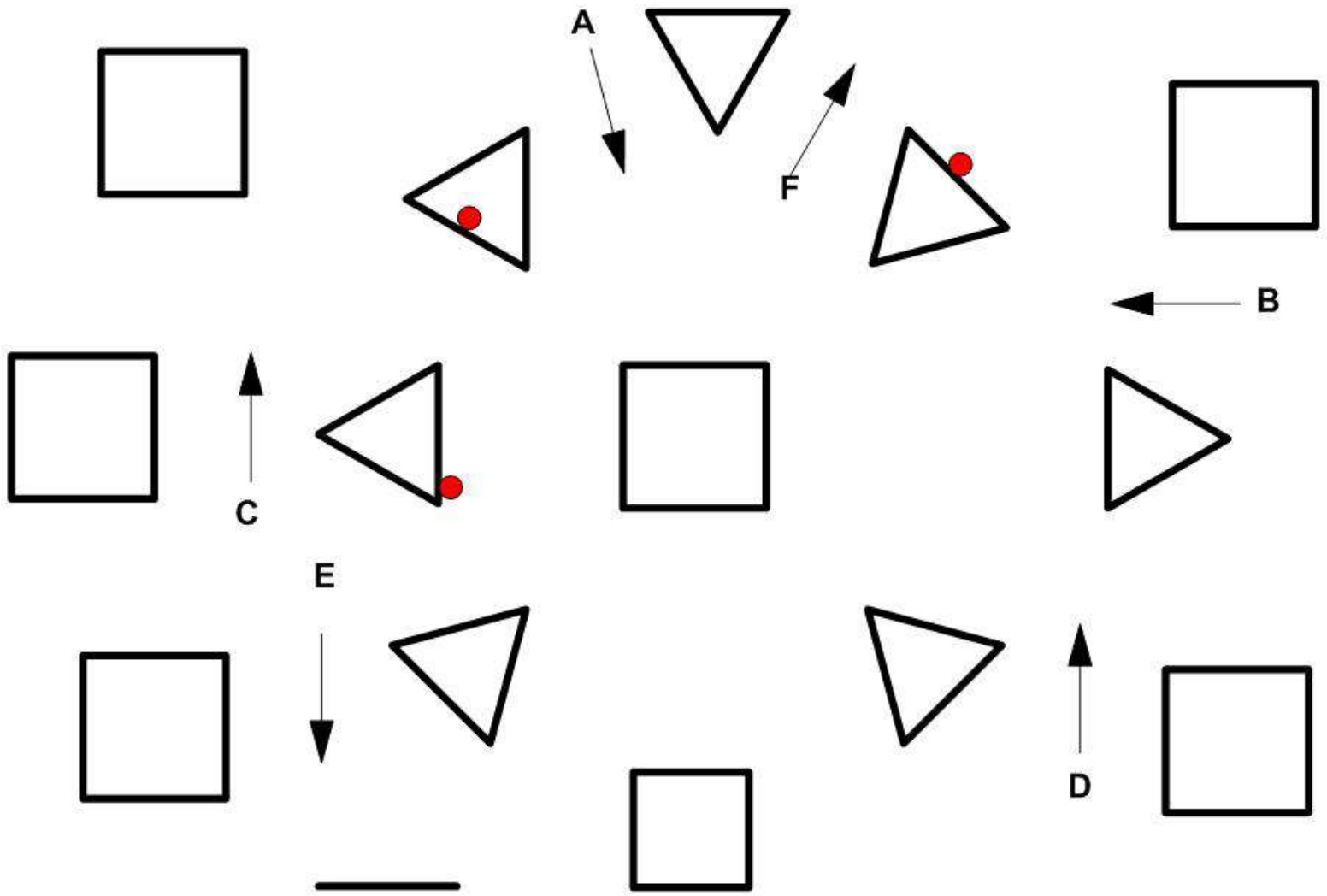


Knock down 2

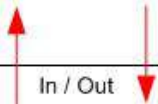


CAI3\*-H4-H2-H1 A-B-C-D-E-F

CAN A -H2 A-B-C-D-E-F



Knock down 3

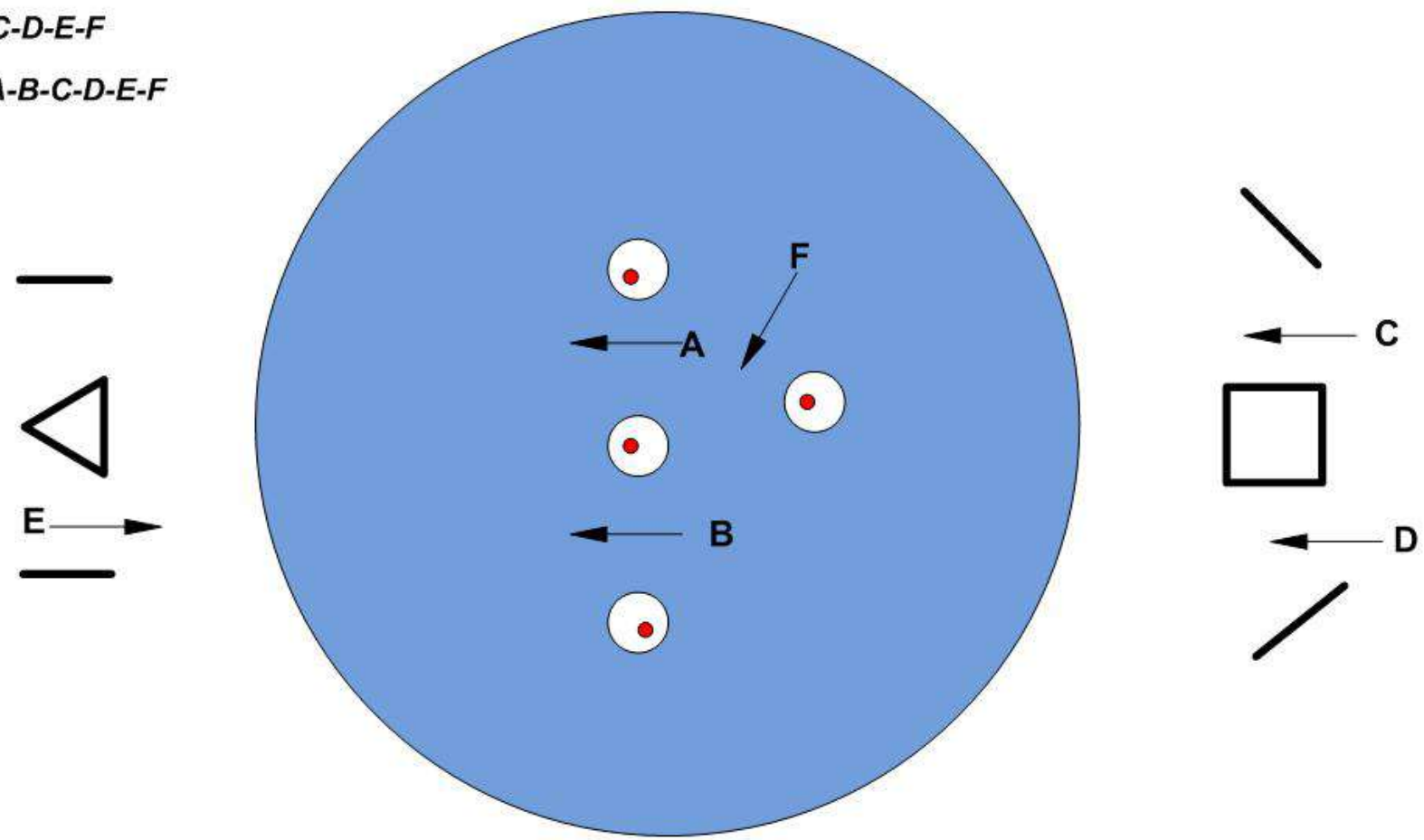


CAI3\*-H4-H2-H1 A-B-C-D-E-F

CAI2\*- H2-H1 A-B-C-D-E-F

CAN A -H2 A-B-C-D-E-F

CAN B -H2- H1 A-B-C-D-E-F



Knock down 4

